

# COMPAC SEAWATER LUBRICATED STERN TUBE BEARING SYSTEM



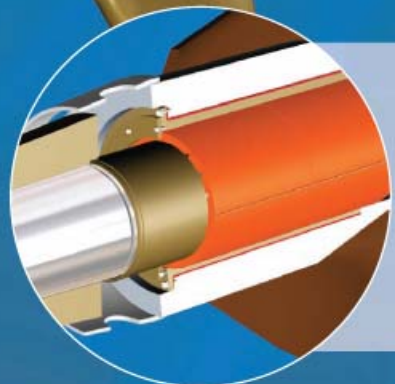
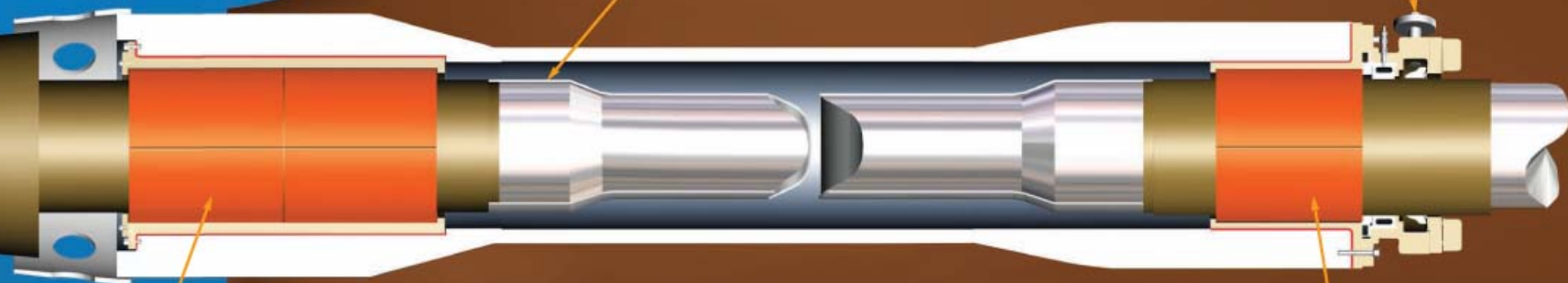
### THOR-COAT SHAFT COATING

- Thordon's tough new modified epoxy coating, designed to provide 10 year integrity against corrosion



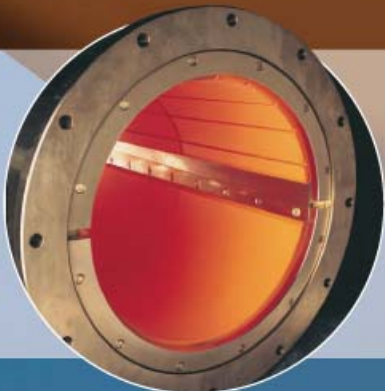
### THORDON WATER QUALITY PACKAGE

- A Thordon Water Quality Package delivers a consistent supply of conditioned water to both the FWD seal and all bearings. A separate detailed brochure on the Thordon Water Quality Package is available



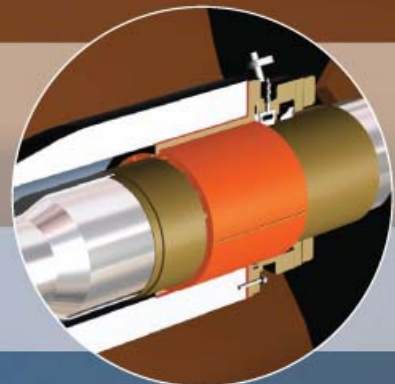
### AFT COMPAC BEARING SYSTEM

- COMPAC bearing in bronze carrier with retaining ring
- Thordon recommended shaft liner in way of the bearings
- No AFT seal required



### COMPAC SINGLE TAPERED KEY DESIGN

- COMPAC split bearing with a single tapered key allows bearings to be withdrawn, inspected and re-installed in a matter of hours with the shaft in place



### FWD COMPAC BEARING SYSTEM

- COMPAC bearing in bronze carrier
- Thordon recommended shaft liner in way of the bearings
- Face type FWD shaft seal shown here